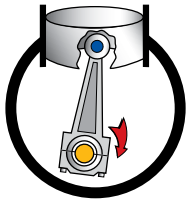


Articulating Piston



TASKAIR™ (TA) SERIES

1/12, 1/6, 1/4, 1/3, 1/2, 3/4 & 1.0 HP

MODELS

TA-2101-DC (270046)
 TA-3101-DC (270024)
 TA-4101-DC (270025)
 TA-4101-DC (270047)
 TA-5102-DC (270058)

TA-5102E (270063)
 TA-5102E (270064)
 TA-6102E (270066)

TA-1061 (270000)
 TA-1061 (270026)
 TA-2051 (270013)
 TA-2051 (270028)
 TA-2101 (270003)
 TA-2101 (270004)
 TA-2101 (270029)
 TA-3051 (270002)
 TA-3051 (270031)
 TA-3101 (270005)
 TA-3101 (270033)
 TA-3052 (270006)
 TA-3052 (270032)
 TA-5052 (270008)
 TA-5052 (270039)
 TA-5102 (270011)
 TA-5102 (270040)
 TA-5102 (270043)
 TA-5102 (270058)
 TA-4051 (270014)
 TA-4101 (270015)
 TA-4052 (270007)
 TA-4052 (270035)
 TA-4102 (270010)
 TA-6052 (270009)
 TA-6052 (270041)
 TA-6102 (270012)
 TA-6102 (270042)
 TA-6102 (270044)
 TA-7102 (270045)
 TA-7102 (270048)
 TA-4172 (270072)
 TA-5172 (270078)
 TA-5172 (270073)
 TA-5172 (270076)
 TA-6172 (270080)
 TA-6172 (270082)
 TA-3V2 (270018)
 TA-3V2 (270034)
 TA-4V2 (270019)
 TA-4V2 (270038)
 TA-5V2 (270083)

ISO 9001
 CERTIFIED



TA-1061: 270000
 270026

TA-2051: 270013
 270028

TA-2101: 270003
 270004
 270029



TA-3051: 270002
 270031

TA-3101: 270005
 270033



TA-3051: 270002
 270031

TA-3101: 270005
 270033



TA-5102DC: 270058



TA-2101DC: 270046

TA-3101DC: 270024

TA-4101DC: 270025
 270047

TA-4051DC: 270059
 270060



TA-5052: 270008
 270039

TA-5102: 270011
 270040
 270043
 270058

TA-6052: 270009
 270041

TA-6102: 270012
 270042
 270044



TA-7102: 270045
 270048



TA-3052: 270006
 270032

TA-4052: 270007
 270035

TA-4102: 270010

FEATURES

- Oil-less design
- Permanently lubricated and sealed bearings
- Cast iron cylinders
- High strength stainless steel valves
- PTFE piston rings and skirts
- Long, service-free life
- Field service capability
- Totally enclosed fan cooled motor
- Low vibration
- Single-point intake
- Quiet operation
- Low profile
- Resistant to dust & water
- Fifty-micron inlet filter(s)
- Motor Frame 48 and 56

Consult factory for custom applications



TA-4172: 270072

TA-5172: 270078
 270073
 270076

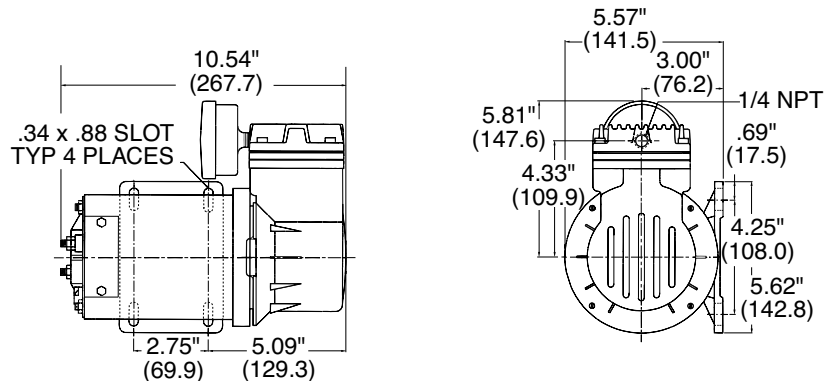
TA-6172: 270080
 270082

THOMAS
 A Gardner Denver Product

DC TA Performance Data

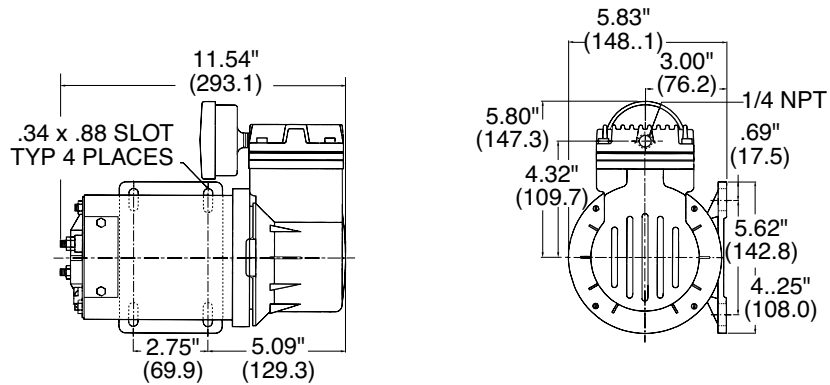
MODEL NUMBER		TA-2101-DC		TA-3101 DC		TA-4101-DC		TA-4101-DC		TA-5102-DC	
MANUFACTURING COD		270046		270024		270025		270047		270058	
HEAD CONFIGURATION		Pressure		Pressure		Pressure		Pressure		Pressure	
NUMBER OF CYLINDERS		1		1		1		1		1	
PRESSURE		Flow @ 12v DC		Flow @ 12v DC		Flow @ 12v DC		Flow @ 24v DC		Flow @ 12v DC	
CFM @ PSI	LPM @ bar										
PSI	bar	CFM	LPM	CFM	LPM	CFM	LPM	CFM	LPM	CFM	LPM
0	0	1.40	39.6	1.70	48.1	2.20	62.2	2.20	62.2	4.06	115.0
5	.5	1.32	36.4	1.62	44.9	2.07	57.0	2.07	57.0	3.81	103.6
10	1.0	1.25	33.3	1.55	41.8	1.95	52.6	1.95	52.6	3.54	99.1
15	1.5	1.17	30.3	1.47	39.0	1.85	48.5	1.85	48.5	3.49	96.0
20	2.0	1.10	27.2	1.40	36.8	1.75	45.1	1.75	45.1	3.42	91.8
25	3.0	1.02	21.6	1.34	32.5	1.66	39.9	1.66	39.9	3.32	83.8
30	5.0	.95	14.0	1.29	25.7	1.58	32.6	1.58	32.6	3.22	66.5
35	7.0	.87	9.7	1.23	19.3	1.51	26.5	1.51	26.5	3.12	44.7
40		.80		1.18		1.45		1.45		3.02	
50		.70		1.09		1.34		1.34		2.86	
60		.60		1.00		1.25		1.25		2.72	
70		.51		.93		1.17		1.17		2.42	
80		.45		.85		1.10		1.10		2.12	
90		.39		.80		1.03		1.03		1.86	
100		.35		.70		.95		.95		1.61	
MAX. PRESSURE		100 PSI	7.0 bar	100 PSI	7.0 bar	100 PSI	7.0 bar	100 PSI	7.0 bar	100 PSI	7.0 bar
MAX. AMBIENT AIR TEMP.		40°C	104° F	40°C	104° F	40°C	104° F	40°C	104° F	40°C	104° F
MIN. AMBIENT START TEMP.		0°C	32° F	0°C	32° F	0°C	32° F	0°C	32° F	0°C	32° F
MAX. RESTART PRESSURE		100 PSI	7.0 bar	100 PSI	7.0 bar	100 PSI	7.0 bar	100 PSI	7.0 bar	100 PSI	7.0 bar
MOTOR VOLTAGE/FREQUENCY		12V DC		12V DC		12V DC		24V DC		12V DC	
HORSEPOWER		1/6		1/4		1/3		1/3		1/2	
MOTOR TYPE		Perm Magnet		Perm Magnet		Perm Magnet		Perm Magnet		Perm Magnet	
CURRENT AT RATED LOAD (AMPS)		23.0		26.0		28.0		18.5		45.0	
POWER AT RATED LOAD (WATTS)		276		330		340		440		230	
STARTING CURRENT (LOCKED ROTOR, AMPS)		149		156		198		122		540	
MIN. FULL LOAD SPEED (RPM)		1800		1800		1800		1800		1800	
THERMAL PROTECTOR		No		No		No		No		No	
CAPACITOR VALUE											
NET WEIGHT		16 lbs.	7.3 Kg	22 lbs.	10 Kg	22 lbs.	10 Kg	25 lbs.	11 Kg	40 lbs.	18 Kg
SHIP WEIGHT		18 lbs.	8.2 Kg	24 lbs.	11 Kg	24 lbs.	11 Kg	28 lbs.	13 Kg	45 lbs.	20 Kg

TA-2101

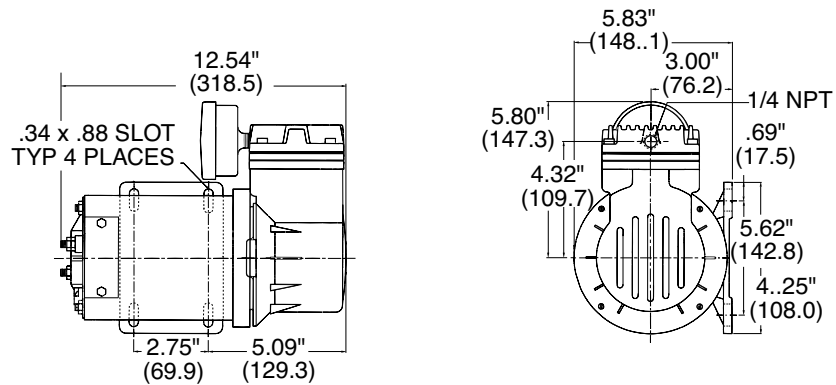


Dimensions Millimeters are in ()

TA-3101



TA-4101



TA-5102

