

ROTARY VANE



QR SERIES

MODELS

Standard models

QR-0030 (291305)

QR-0030 (291324)

QR-0030 (291325)

QR-0050 (291306)

QR-0050 (291326)

QR-0050 (291327)

QR-0080 (291303)

QR-0100 (291304)

Other models based on availability and minimum purchase.

QR-0080 (291309)

QR-0100 (291310)



QR-0030 VLSC: 291325

QR-0050 VLSC: 291327

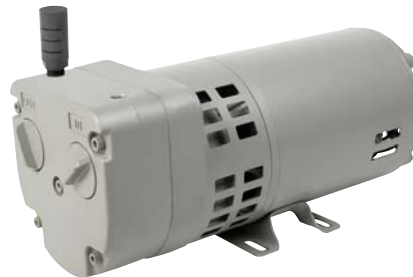
QR-0030 PLSC: 291324

QR-0050 PLSC: 291326



QR-0030: 291305

QR-0050: 291306



QR-0080: 291303
291309

QR-0100: 291304
291310



FEATURES

- Quiet design*
- Oil-less, non-lubricated pump components
- Permanently lubricated-for-life motor ball bearings
- Built-in inlet & exhaust filters*
- External exhaust muffler*
- UL & CSA recognition
- Die cast aluminum sound chamber*
- Low air flow pulsations
- World Voltage Motors

Consult factory for custom applications

*non-LSC models only

ISO 9001
CERTIFIED

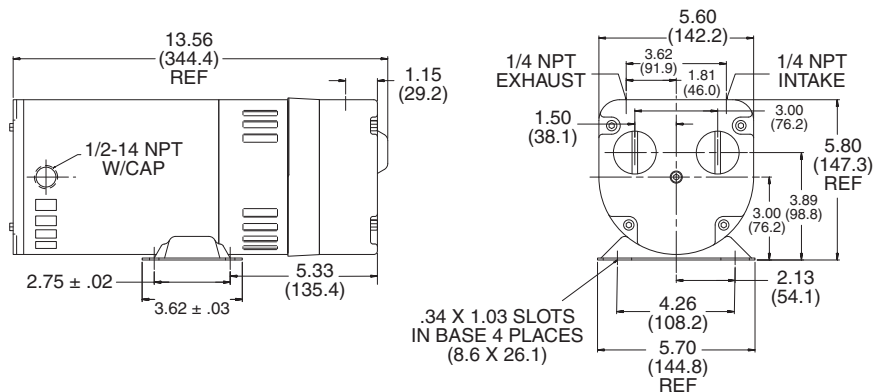
THOMAS
A Gardner Denver Product

QR Series Performance Data

	Standard		Standard		Standard		Standard			
MODEL NUMBER	QR-0030		QR-0050		QR-0080		QR-0100			
MANUFACTURING CODE	291305		291306		291303		291304			
HEAD CONFIGURATION	Pressure/Vacuum		Pressure/Vacuum		Pressure/Vacuum		Pressure/Vacuum			
PRESSURE	Flow @ 115/220V		Flow @ 115/220V		Flow @ 115/220V		Flow @ 115/220V			
cfm @ psi	l/min @ bar									
psi	bar		cfm	l/min	cfm	l/min	cfm	l/min		
0	0		3.20 / 2.70	90.6 / 76.4	4.60 / 4.00	130.2 / 113.2	8.00 / 6.70	226.5 / 189.7	10.00 / 8.30	283.1 / 235.0
5	.5		2.70 / 2.30	70.0 / 58.7	4.10 / 3.50	109.7 / 92.7	7.35 / 6.20	201.1 / 168.5	9.40 / 7.80	258.5 / 214.4
10	1.5		2.20 / 1.80	49.5 / 40.7	3.60 / 3.00	86.6 / 69.6	6.80 / 5.65	177.2 / 148.5	8.80 / 7.30	233.8 / 193.9
15			1.70 / 1.40		3.00 / 2.40		6.20 / 5.20			
MAX. CONTINUOUS PRESSURE	10 psi	.7 bar	10 psi	.7 bar	10 psi	.7 bar	10 psi	.7 bar		
MAX. INTERMITTENT PRESSURE	15 psi	1.0 bar	15 psi	1.0 bar	15 psi	1.0 bar	15 psi	1.0 bar		
VACUUM	Flow @ 115/220V		Flow @ 115/220V		Flow @ 115/220V		Flow @ 115/220V			
cfm @ in.Hg	l/min @ mbar (gauge)									
in.Hg	mbar (gauge)		cfm	l/min	cfm	l/min	cfm	l/min		
0	0		3.20 / 2.70	90.6 / 76.4	4.60 / 4.00	130.2 / 113.2	8.00 / 6.70	226.5 / 189.7	10.00 / 8.30	283.1 / 235.0
5	-100		2.50 / 2.20	78.9 / 68.0	3.80 / 3.30	116.8 / 101.5	6.40 / 5.30	119.7 / 166.3	8.10 / 6.60	251.3 / 206.5
10	-200		1.90 / 1.60	67.7 / 59.2	2.90 / 2.50	102.9 / 89.3	4.80 / 4.00	173.0 / 143.4	6.20 / 5.00	219.6 / 178.6
15	-400		1.30 / 1.10	47.6 / 40.1	2.00 / 1.70	72.8 / 62.5	3.40 / 2.80	121.5 / 100.9	4.40 / 3.40	157.0 / 125.1
20	-600		.60 / .50	26.0 / 21.9	1.20 / .90	44.3 / 35.8	2.00 / 1.40	74.7 / 57.7	2.50 / 1.90	95.3 / 73.1
25	-800				.30 / .10	17.5 / 9.0	.40 / .10	23.7 / 12.9	.80 / .35	35.9 / 21.9
MAX. VACUUM	25in.Hg	-836 mbar	26in.Hg	-869 mbar	26in.Hg	-869 mbar	26in.Hg	-869 mbar		
MAX. AMBIENT AIR TEMP.	95° F	35°C	95° F	35°C	95° F	35°C	95° F	35°C		
MIN. AMBIENT START TEMP.	32° F	0°C	32° F	0°C	32° F	0°C	32° F	0°C		
MAX. RESTART PRESSURE										
MAX. RESTART VACUUM										
MOTOR VOLTAGE/FREQUENCY	100-115/200-240/60/50/1		100-115/200-240/60/50/1		100-115/200-240/60/50/1		100-115/200-240/60/50/1			
MOTOR TYPE	Split Phase		Split Phase		Capacitor Start		Capacitor Start			
CURRENT AT RATED LOAD (AMPS)	5.6 / 2.7		5.6 / 2.7		10.4 / 5.5		10.4 / 5.5			
POWER AT RATED LOAD (WATTS)	300 / 250		300 / 250		790 / 640		900 / 760			
STARTING CURRENT (LOCKED ROTOR, AMPS)	26.0 / 13.0		26.0 / 13.0		37.0 / 17.0		37.0 / 17.0			
FRAME SIZE										
MIN. FULL LOAD SPEED (RPM)	1725 / 1425		1725 / 1425		1725 / 1425		1725 / 1425			
THERMAL PROTECTOR	Yes		Yes		Yes		Yes			
NET WEIGHT	33 lb	15 kg	33 lb	15 kg	54 lb	24.5 kg	54 lb	24.5 kg		

QR-0030 & QR-0050

291305, 291306



QR Series Performance Data

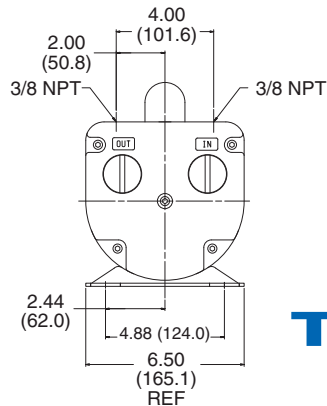
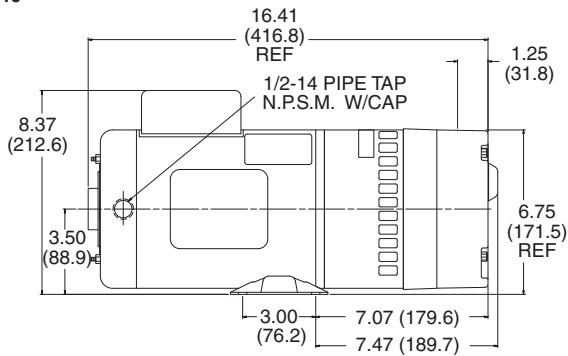
MODEL NUMBER		QR-0080		QR-0100	
MANUFACTURING CODE		291309		291310	
HEAD CONFIGURATION		Pressure/Vacuum		Pressure/Vacuum	
PRESSURE		Flow @ 230V		Flow @ 230V	
cfm @ psi	l/min @ bar				
psi	bar	cfm	l/min	cfm	l/min
0	0	8.00	226.5	10.0	283.1
5	.5	7.35	201.1	9.4	258.5
10	1.5	6.80	177.2	8.8	233.8
15		6.20			
MAX. CONTINUOUS PRESSURE		10 psi	.7 bar	10 psi	.7 bar
MAX. INTERMITTENT PRESSURE		15 psi	1.0 bar	15 psi	1.0 bar
VACUUM		Flow @ 230V		Flow @ 230V	
cfm @ in.Hg	l/min @ mbar (gauge)				
in.Hg	mbar (gauge)	cfm	l/min	cfm	l/min
0	0	8.0	226.5	10.0	283.1
5	-100	6.4	199.7	8.1	251.3
10	-200	4.8	173.0	6.2	219.6
15	-400	3.4	121.5	4.4	157.0
20	-600	2.0	74.7	2.5	95.3
25	-800	0.4	23.7	0.8	35.9
MAX. VACUUM		25in.Hg	-836 mbar	25in.Hg	-836 mbar
MAX. AMBIENT AIR TEMP.		95° F	35°C	95° F	35°C
MIN. AMBIENT START TEMP.		32° F	0°C	32° F	0°C
MAX. RESTART PRESSURE					
MAX. RESTART VACUUM					
MOTOR VOLTAGE/FREQUENCY		200-240/460/60/3 200-220/380-415/50/3		200-240/460/60/3 200-220/380-415/50/3	
MOTOR TYPE		Polyphase		Polyphase	
CURRENT AT RATED LOAD (AMPS)		2.8 / 1.5		2.8 / 1.5	
POWER AT RATED LOAD (WATTS)		740 / 810		740 / 810	
STARTING CURRENT (LOCKED ROTOR, AMPS)		18.0 / 9.0		18.0 / 9.0	
FRAME SIZE					
MIN. FULL LOAD SPEED (RPM)		1725		1725	
THERMAL PROTECTOR		Yes		Yes	
NET WEIGHT		56 lb	25 kg	56 lb	25 kg

The information presented in this material is based on technical data and test results of nominal units. It is believed to be accurate and reliable and is offered as an aid to help in the selection of Thomas products. It is the responsibility of the user to determine the suitability of the product for his intended use and the user assumes all risk and liability whatsoever in connection therewith. Thomas does not warrant, guarantee or assume any obligation or liability in connection with this information.

NOTE: Models pictured are representative of the series and do not represent a specific model number. Consult factory for detailed physical description.

QR-0080 & QR-0100

291303, 291304
291309, 291310



THOMAS
A Gardner Denver Product

QR SERIES