

WOB-L®

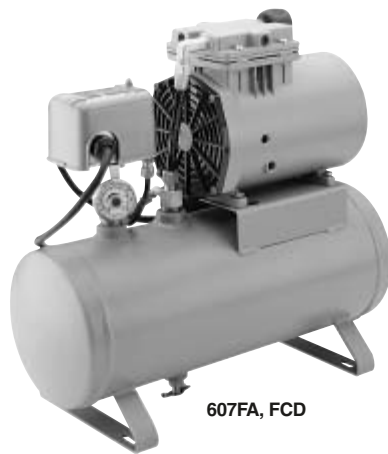


Tank-Mounted Series

MODELS

Standard models
405FDC38/12
607FA22
607FCD22
688FE44

Other models based on availability and minimum purchase.



607FA, FCD



688FE



405FDC

FEATURES

- Oil-less, non-lube piston and cylinder
- Permanently lubricated bearings
- Stainless steel valves
- Lightweight, diecast aluminum components
- Long-life, high performance piston seal
- Thin wall, hard-coated aluminum cylinder for maximum heat transfer
- Low noise design
- Balanced for smooth, low vibration operation
- Field service capability
- Intake filter
- All wetted aluminum parts treated for corrosion protection from moisture
- All other wetted parts stainless steel
- Tank with safety valve
- Pressure gauge
- Pressure switch, U.L. listed with Automatic Control
- Pressure Regulator (1107 only)
- ISO 9001 Registered

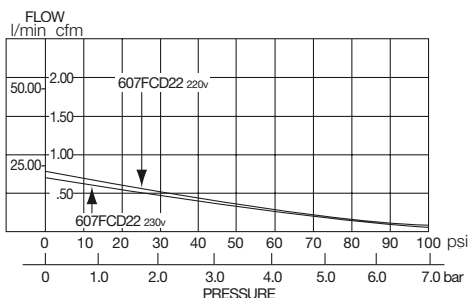
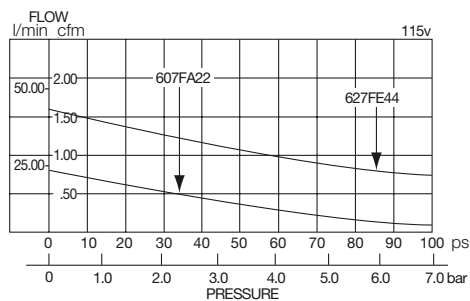
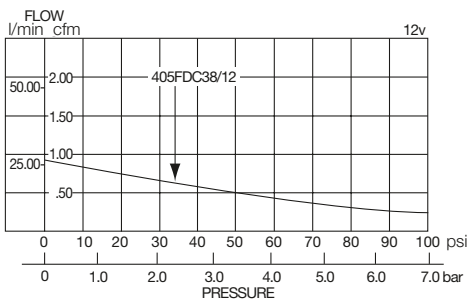
Consult factory for custom applications

ISO 9001
CERTIFIED

THOMAS
A Gardner Denver Product

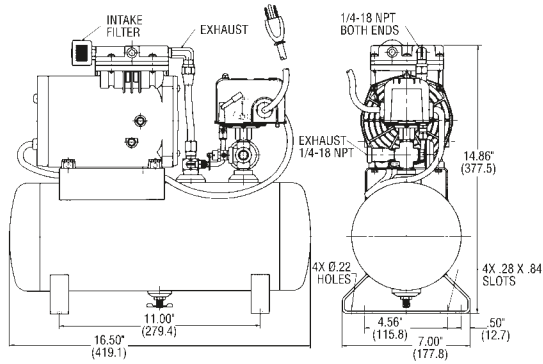
Tank-Mounted Series Performance Data

| | Standard | | Standard | | Standard | | Standard | | | |
|---|-------------------------|---------|-------------------------|---------|-------------------------|---------|---------------------------|-----------|---------|---------|
| MODEL NUMBER | 405FDC38/12 | | 607FA22 | | 607FCD22 | | 688FE44 | | | |
| HEAD CONFIGURATION | Pressure | | Pressure | | Pressure | | Pressure | | | |
| STROKE | .380 Inches | | .220 Inches | | .220 Inches | | .440 Inches | | | |
| PRESSURE | Flow @ 12v | | Flow @ 115v | | Flow @ 230/220v | | Flow @ 115v | | | |
| cfm @ psi | l/min @ bar | | | | | | | | | |
| psi | bar | | cfm | l/min | cfm | l/min | cfm | l/min | | |
| 0 | 0 | | .92 | 26.1 | .84 | 23.8 | .78/.64 | 22.1/18.1 | 1.60 | 45.3 |
| 10 | .5 | | .71 | 21.7 | .74 | 21.7 | .70/.57 | 20.4/16.7 | 1.48 | 42.8 |
| 20 | 1.0 | | .61 | 18.8 | .64 | 19.7 | .61/.49 | 18.7/15.1 | 1.37 | 40.5 |
| 30 | 1.5 | | .56 | 17.0 | .56 | 17.7 | .54/.43 | 17.0/13.6 | 1.29 | 38.4 |
| 40 | 2.0 | | .53 | 16.0 | .46 | 16.1 | .46/.36 | 15.5/12.3 | 1.21 | 36.8 |
| 50 | 3.0 | | .49 | 14.6 | .37 | 12.1 | .40/.32 | 12.4/9.8 | 1.13 | 33.5 |
| 60 | 5.0 | | .44 | 11.0 | .31 | 6.7 | .33/.27 | 7.9/5.8 | 1.05 | 27.3 |
| 70 | 7.0 | | .40 | 7.5 | .25 | 2.6 | .29/.22 | 3.1/2.7 | .98 | 21.2 |
| 80 | | | .35 | | .20 | | .24/.16 | | .91 | |
| 90 | | | .31 | | .15 | | .18/.13 | | .84 | |
| 100 | | | .27 | | .10 | | .12/.10 | | .76 | |
| MAX. CONTINUOUS PRESSURE | 100 psi | 6.9 bar | 100 psi | 6.9 bar | 100 psi | 6.9 bar | 100 psi | 6.9 bar | 100 psi | 6.9 bar |
| MAX. INTERMITTENT PRESSURE | 100 psi | 6.9 bar | 100 psi | 6.9 bar | 100 psi | 6.9 bar | 100 psi | 6.9 bar | 100 psi | 6.9 bar |
| MAX. AMBIENT TEMPERATURE | 104° F | 40° C | 104° F | 40° C | 104° F | 40° C | 104° F | 40° C | 104° F | 40° C |
| MIN. AMBIENT TEMPERATURE | 50° F | 10° C | 50° F | 10° C | 50° F | 10° C | 50° F | 10° C | 50° F | 10° C |
| MOTOR VOLTAGE/FREQUENCY | 12vDC | | 115/60/1 | | 230/60/1-220/50/1 | | 115/60/1 | | | |
| HORSEPOWER | 1/10 | | 1/8 | | 1/8 | | 1/3 | | | |
| MOTOR TYPE | Permanent Magnet | | Shaded Pole | | Shaded Pole | | Permanent Split Capacitor | | | |
| CURRENT AT RATED LOAD (AMPS) | 10.5 A | | 3.1 A | | 1.3 A | | 3.6 A | | | |
| POWER AT RATED LOAD (WATTS) | | | 189 W | | 174 W | | 325 W | | | |
| STARTING CURRENT (LOCKED ROTOR AMPS) | 25.0 A | | 5.3 A | | 2.1 A | | 9.2 A | | | |
| INSULATION CLASS | A | | A | | A | | B | | | |
| MIN. FULL LOAD SPEED (RPM) | 3310 | | 1540 | | 1105 | | 1650 | | | |
| THERMAL PROTECTOR | Yes | | Yes | | Yes | | Yes | | | |
| CAPACITOR VALUE | | | | | | | 8 mfd | | | |
| NET WEIGHT | 18.3 lb. | 8.3 kg | 25 lb. | 11.3 kg | 25 lb. | 11.3 kg | 28.5 lb. | 12.9 kg | | |
| TANK | Single tank - 2 gallons | | Single tank - 2 gallons | | Single tank - 2 gallons | | Single tank - 2 gallons | | | |

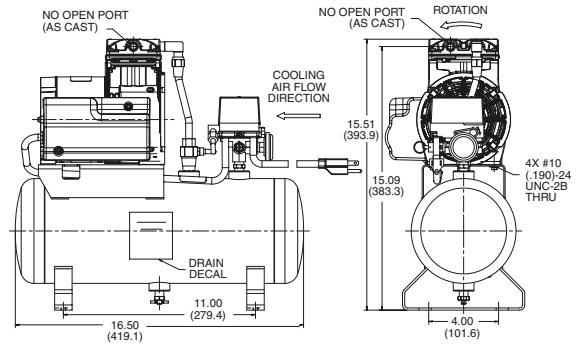


Dimensions

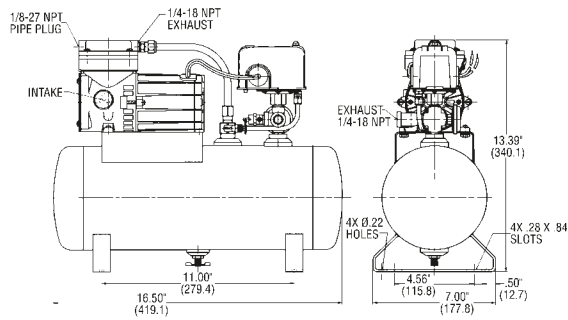
607FA



688FE44



405FDC



The information presented in this material is based on technical data and test results of nominal units. It is believed to be accurate and reliable and is offered as an aid to help in the selection of Thomas products. It is the responsibility of the user to determine the suitability of the product for his intended use and the user assumes all risk and liability whatsoever in connection therewith. Thomas Industries does not warrant, guarantee or assume any obligation or liability in connection with this information.

NOTE: Models pictured are representative of the series and do not represent a specific model number. Consult factory for detailed physical description.