

WOB-L®



617 SERIES

MODELS

Standard models

617CA22

617CA32

617CD22

617CD32



FEATURES

- Oil-less, non-lube piston and cylinder
- Permanently lubricated bearings
- Stainless steel valves
- Lightweight die cast aluminum components
- Long-life, high performance piston seal
- Thin wall, hard coated aluminum cylinder for maximum heat transfer
- Low noise design
- 115 Volt, UL recognized motor and thermal protector
- Balanced for smooth, low vibration operation
- Intake filter
- Six foot cord and plug assembly
- Field service capability
- CE approval on all standard 220-240/50 Hz models
(consult factory for non-standard and TUV approved models)

Consult factory for custom applications

ISO 9001
CERTIFIED

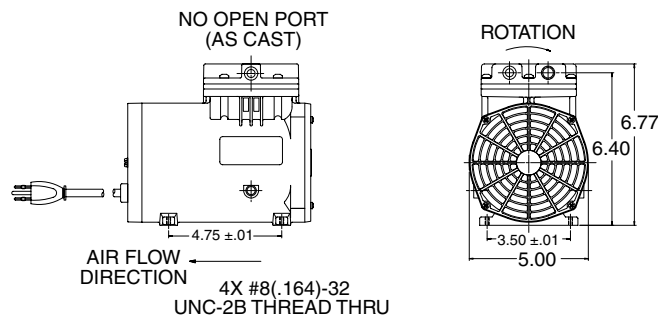
THOMAS
A Gardner Denver Product

617 Series Performance Data

		Standard		Standard		Standard		Standard	
MODEL NUMBER		617CA22		617CA32		617CD22		617CD32	
HEAD CONFIGURATION		Pressure/Vacuum		Pressure/Vacuum		Pressure/Vacuum		Pressure/Vacuum	
STROKE		.220 Inches		.320 Inches		.220 Inches		.320 Inches	
PRESSURE		Flow @ 115v		Flow @ 115v		Flow @ 220v		Flow @ 220v	
cfm @ psi	l/min @ bar								
psi	bar	cfm	l/min	cfm	l/min	cfm	l/min	cfm	l/min
0	0	0.78	22.1	1.22	34.5	0.69	19.5	1.01	28.6
10	.5	0.69	20.2	1.10	32.1	0.59	17.5	0.91	26.5
20	1.0	0.59	18.3	0.97	29.5	0.50	15.6	0.80	24.4
30	1.5	0.51	16.3	0.85	26.9	0.42	13.8	0.69	22.1
40	2.0	0.42	14.7	0.74	24.4	0.35	12.1	0.59	19.8
50	3.0	0.37	11.4	0.66	20.2	0.30	9.4		
60	5.0	0.31	6.6	0.56		0.25	5.4		
70	7.0	0.25	1.7			0.20	2.7		
80		0.18				0.17			
90		0.13				0.14			
100		0.07				0.10			
MAX. CONTINUOUS PRESSURE		100 psi	6.9 bar	50 psi	3.4 bar	100 psi	6.9 bar	40 psi	2.8 bar
MAX. INTERMITTENT PRESSURE		100 psi	6.9 bar	60 psi	4.2 bar	100 psi	6.9 bar	40 psi	2.8 bar
VACUUM		Flow @ 115v		Flow @ 115v		Flow @ 220v		Flow @ 220v	
cfm @ in. Hg	l/min @ mbar (gauge)								
in. Hg	mbar (gauge)	cfm	l/min	cfm	l/min	cfm	l/min	cfm	l/min
0	0	0.78	22.1	1.22	34.5	0.69	19.5	1.01	28.6
5	-100	0.63	19.6	0.87	28.7	0.53	16.9	0.75	24.3
10	-200	0.47	17.0	0.65	23.5	0.40	14.3	0.55	20.2
15	-400	0.31	11.7	0.45	16.4	0.26	9.9	0.35	13.5
20	-600	0.16	6.5	0.23	9.4	0.14	5.5	0.19	7.40
25	-800	0.02	1.7						
MAX. VACUUM		25.6" in. Hg	-864 mbar	26.8" in. Hg	-907 mbar	26.1" in. Hg	-884 mbar	26.2" in. Hg	-887 mbar
MAX. AMBIENT AIR TEMP.		104° F	40(°C)	104° F	40(°C)	104° F	40(°C)	104° F	40(°C)
MIN. AMBIENT START TEMP.		50° F	10(°C)	50° F	10(°C)	50° F	10(°C)	50° F	10(°C)
MAX. RESTART PRESSURE		0 psi	0 bar	0 psi	0 bar	0 psi	0 bar	0 psi	0 bar
MAX. RESTART VACUUM		0" in. Hg	0 mbar	0" in. Hg	0 mbar	0" in. Hg	0 mbar	0" in. Hg	0 mbar
MOTOR VOLTAGE/FREQUENCY		115/60/1		115/60/1		220/50/1		220/50/1	
MOTOR TYPE		Shaded Pole		Shaded Pole		Shaded Pole		Shaded Pole	
CURRENT AT RATED LOAD (AMPS)		3.1A		4.6A		1.3A		1.7A	
POWER AT RATED LOAD (WATTS)		189W		285W		174W		225W	
STARTING CURRENT (LOCKED ROTOR, AMPS)		5.5A		6.4A		2.1A		2.5A	
CAPACITOR VALUE									
MIN. FULL LOAD SPEED (RPM)		1540 rpm		1400 rpm		1105 rpm		1150 rpm	
THERMAL PROTECTOR		Yes		Yes		Yes		Yes	
NET WEIGHT		11 lb.	5 (kg)	11 lb.	5 (kg)	11 lb.	5 (kg)	11 lb.	5 (kg)

The information presented in this material is based on technical data and test results of nominal units. It is believed to be accurate and reliable and is offered as an aid to help in the selection of Thomas products. It is the responsibility of the user to determine the suitability of the product for his intended use and the user assumes all risk and liability whatsoever in connection therewith. Thomas Products does not warrant, guarantee or assume any obligation or liability in connection with this information.

NOTE: Models pictured are representative of the series and do not represent a specific model number. Consult factory for detailed physical description.



THOMAS
A Gardner Denver Product