

WOB-L®



405 SERIES

MODELS

Standard models

405AA38

405AD38

405ADC38/12

*Other models based
on availability and
minimum purchase.*

405AE38

405AH38

405ADC38/24

405ADC38/36

405EDC38/12



405 AE
405 AH



405EDC



405ADC



405AA
405AD

FEATURES

- Single cylinder
- Oil-less, non-lube piston and cylinder
- Permanently lubricated bearings
- Stainless steel valves
- Aluminum valve plates
- Lightweight die cast aluminum components
- Long-life, high performance PTFE compound piston seal
- Thin wall, hard-coated aluminum cylinder for maximum heat transfer
- Balanced for smooth, low vibration operation
- Field service capability
- All wetted aluminum parts treated for corrosion protection from moisture
- All other wetted parts stainless steel
- 115 Volt, UL recognized motor and thermal protector (AC only)
- CE approved, 220-240/50 Hz standard models (consult factory for non-standard & TUV approved models)

Consult factory for custom applications

ISO 9001
CERTIFIED

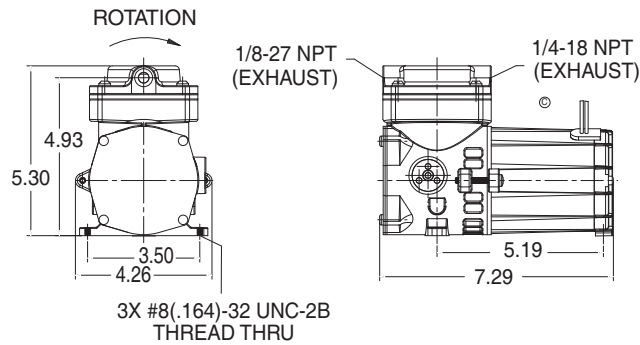
THOMAS
A Gardner Denver Product

405 Series Performance Data

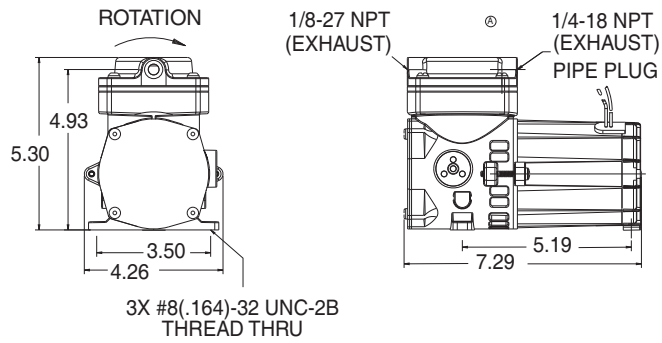
		Standard							
MODEL NUMBER		405ADC38/12		405ADC38/24		405ADC38/36		405EDC38/12	
HEAD CONFIGURATION		Pressure Only		Pressure Only		Pressure Only		Pressure Only	
STROKE		.380 Inches		.380 Inches		.380 Inches		.380 Inches	
PRESSURE		Flow @ 12v		Flow @ 24v		Flow @ 36v		Flow @ 12v	
CFM @ PSI	LPM @ bar								
PSI	bar	CFM	LPM	CFM	LPM	CFM	LPM	CFM	LPM
0	0	.79	22.3	.66	18.6	.83	23.5	.79	22.3
10	.5	.75	20.7	.60	17.4	.76	22.0	.71	20.7
20	1.0	.71	19.0	.52	15.9	.67	20.3	.63	19.0
30	1.5	.63	17.4	.45	14.3	.60	18.6	.56	17.4
40	2.0	.56	16.0	.41	12.9	.54	17.1	.50	16.0
50	3.0	.41	13.2	.35	11.0	.49	14.7	.41	13.2
60	5.0	.38	9.9	.30	7.4	.44	10.7	.38	9.9
70	7.0	.36	6.6	.27	5.3	.39	6.5	.36	6.6
80		.33		.24		.35		.33	
90		.27		.20		.30		.27	
100		.24		.19		.24		.24	
MAX. CONTINUOUS PRESSURE		100 PSI	7.0 bar	100 PSI	7.0 bar	100 PSI	7.0 bar	100 PSI	7.0 bar
MAX. INTERMITTENT PRESSURE		100 PSI	7.0 bar	100 PSI	7.0 bar	100 PSI	7.0 bar	100 PSI	7.0 bar
MAX. AMBIENT AIR TEMP.		104° F	40°C	104° F	40°C	104° F	40°C	104° F	40°C
MIN. AMBIENT START TEMP.		50° F	10°C	50° F	10°C	50° F	10°C	50° F	10°C
MAX. RESTART PRESSURE		100 PSI	7.0 bar	100 PSI	7.0 bar	100 PSI	7.0 bar	100 PSI	7.0 bar
MOTOR VOLTAGE/FREQUENCY		12v DC		24v DC		36v DC		12v DC	
MOTOR TYPE		Permanent Magnet		Permanent Magnet		Permanent Magnet		Permanent Magnet	
CURRENT AT RATED LOAD (AMPS)		10.5		4.5		2.1		10.5	
POWER AT RATED LOAD (WATTS)		—		—		—		—	
STARTING CURRENT (LOCKED ROTOR, AMPS)		25.0		13.0		8.0		25.0	
CAPACITOR VALUE									
MIN. FULL LOAD SPEED (RPM)		3310		2475		3210		3310	
THERMAL PROTECTOR		Yes		Yes (fuse)		Yes (fuse)		Yes (fuse)	
PRESSURE SWITCH SETTING		—		—		—		95-125 PSI	
NET WEIGHT		4.3 lbs.	1.95 kg	4.3 lbs.	1.95 kg	4.3 lbs.	1.95 kg	5.3 lbs.	2.4 kg

DC Dimensions

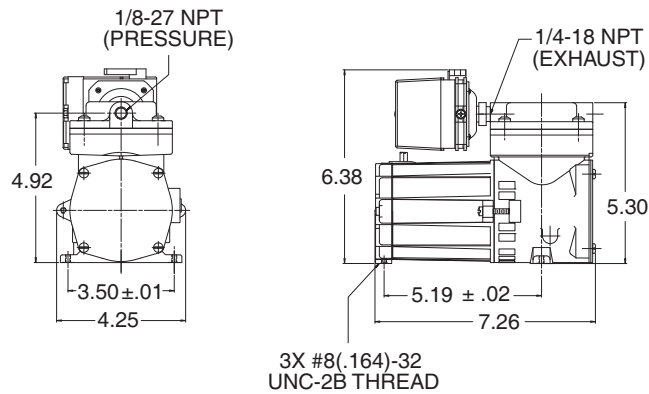
405ADC 38/12



405ADC 38/36



405EDC



The information presented in this material is based on technical data and test results of nominal units. It is believed to be accurate and reliable and is offered as an aid to help in the selection of Thomas products. It is the responsibility of the user to determine the suitability of the product for his intended use and the user assumes all risk and liability whatsoever in connection therewith. Thomas does not warrant, guarantee or assume any obligation or liability in connection with this information.

NOTE: Models pictured are representative of the series and do not represent a specific model number. Consult factory for detailed physical description.

Form No. 850-3470 7/08
 ©2008 Gardner Denver Thomas, Inc. All rights reserved.

